



Total Solution of Commercial Refrigerators



Your Ideal One-Stop Supplier of Commercial Fridges

Nenwell, China tier 1 commercial refrigeration solution provider, with 7+ affiliated factories standing behind us, we are enduring in operating mass production and fast delivery for valued clients across the world. Alongside the decades since China's open policy in 90's, Nenwell took deep root in China commercial refrigeration industry and grew into a total solution provider of commercial refrigeration equipment, such as reach in refrigerator, glass door merchandiser, countertop fridge, back bar fridge, conventional fridges and freezers, and medical purpose refrigerators. Besides these commercial refrigerators, also we are supplying numerous components and fridge production lines. Nenwell Import and Export is our export outlet and the helper in pivoting global supply chain in this field across the world. We are committed to become your ideal one-stop supplier of freezers and coolers.



Nenwell, a Joint of High Quality upon Cost-Efficiency

Deeply rooted in China refrigeration industry for the past three decades, we have developed prominent expertise and leading technology which bring our manufacturing to world-class high quality. Quality and safety standards such as ISO90001, CE, RoHS, REACH, ETL, UL, NSF, CB, SAA and other norms are well met for different product lines. High quality products and efficient inner cost control empowers Nenwell to grow rapidly in the refrigeration field. Your one-stop refrigeration supplier is us as we run comprehensively full field refrigeration equipment, from cooler to freezer, from mini to large, from counter-top to free-standing, from complete units to components, and from products to production lines. We are professional in satisfying your OEM/ ODM and customized orders.

We help Boost Your Brand in Catering and Retailing



We are always one step ahead of the food service and retailing business. Our insights in stylish designs, illuminated visibility, energy saving technology can definitely boost your brand distribution and retailing sales. Remarkable acknowledgements are bestowed to Nenwell through trustworthy cooperations with famous clients home and abroad, such as Qingdao Beer, Tiger Beer, Polar Bear, Nestle', Meiji, Dairy Queen, Arum, Klondike, Cream Bell, Dairy Day, Igloo, Orchard Fresh, Cold Stone, Llaollao, Fruits, Amorino, Galadari and the list extends yearly.



Barrel Cooler



Countertop Chiller



Silm Upright Freezer



Upright Fridge



Cake Showcase



Ice Cream Showcase



Supermarket Merchandiser



Medical Refrigerator

2 ~ 8°C Pharmacy Refrigerator



4°C Blood Bank Refrigerator



-40°C Biomedical Freezer



Transport Cooler

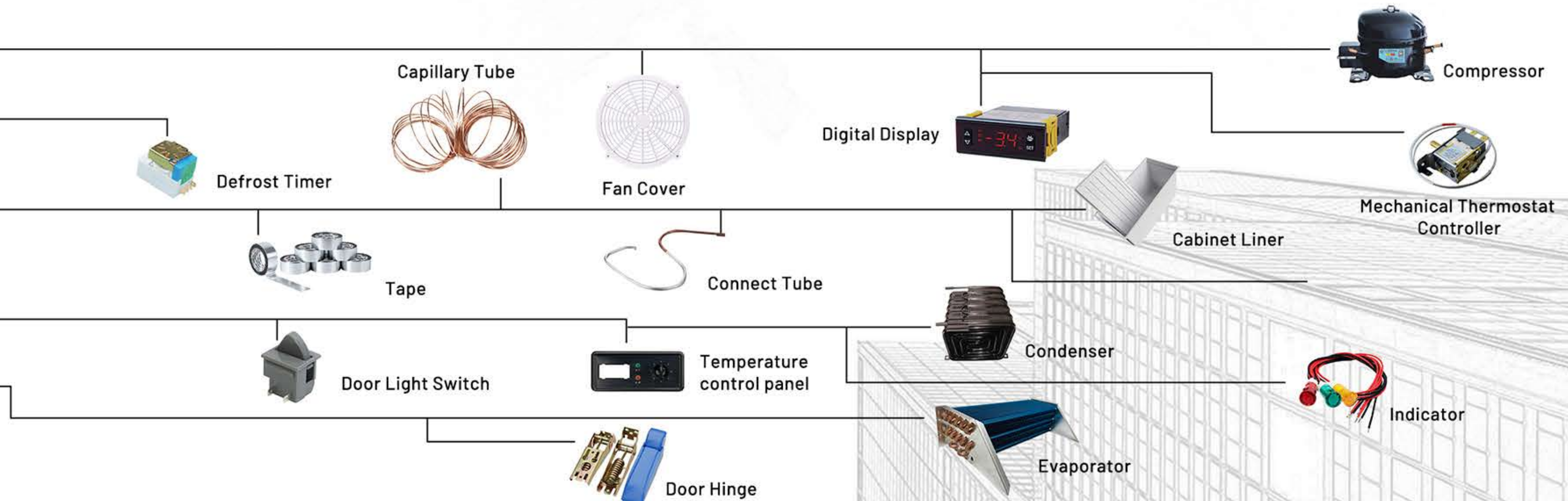


TABLE TOP GELATO SHOWCASE

>>>

Features and Benefits:

- Counter top type
- Curved tempered front triple layer glass
- Rear sliding glass doors
- Ventilated cooling system
- Brilliant LED lighting
- Food grade GN 1/3 pan
- Copper evaporators & condensers
- Electronic control system
- Digital display screen
- High-performance and energy efficiency



TABLE TOP GELATO SHOWCASE

High-Performance Refrigeration

Triple-glasses with Heater

GN 1/3 Pans(PP)

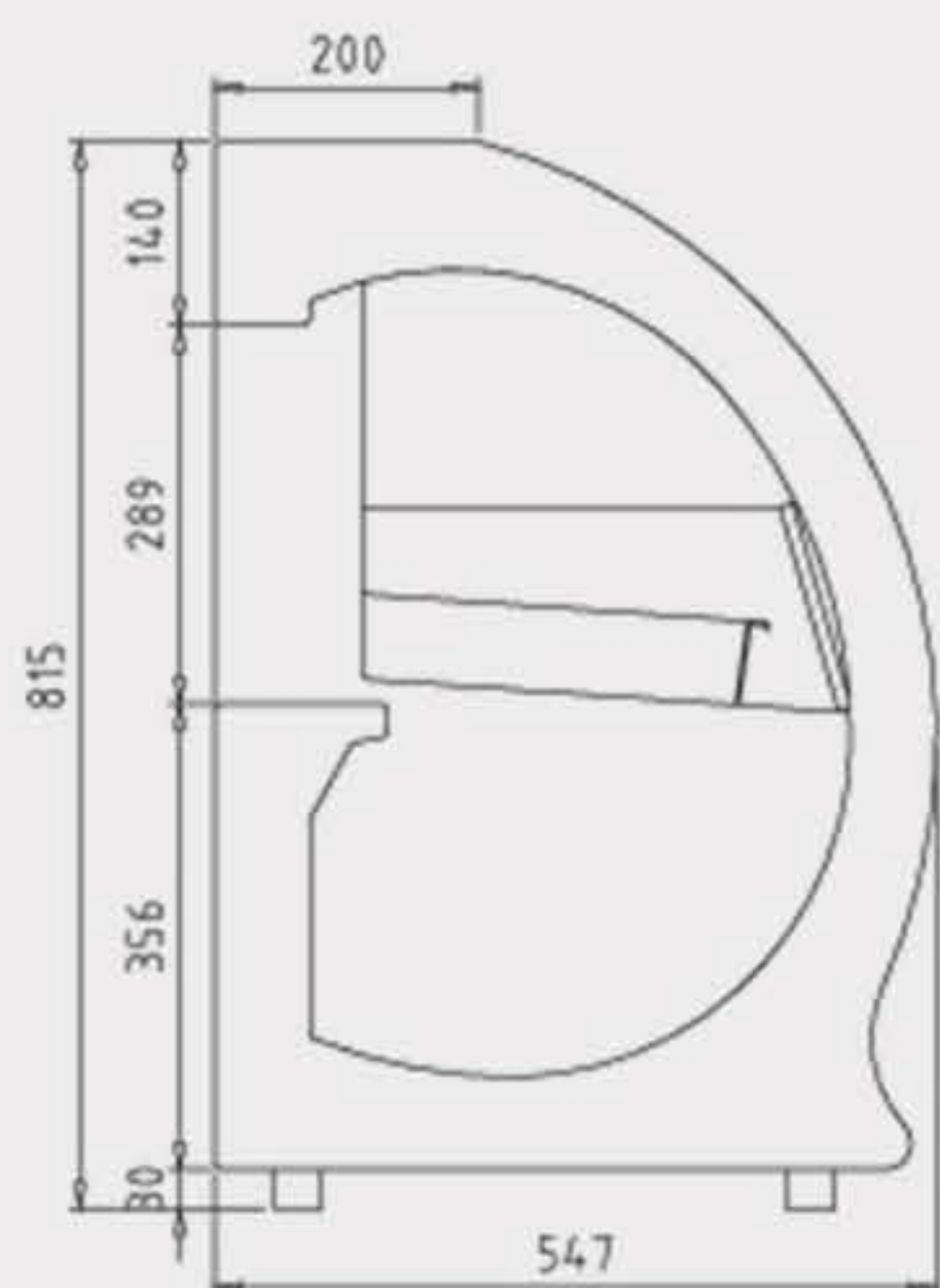
Crystal Clear Visibility

LED Illumination

Digital Control System



NW-G530A



Model No	Temp. Range	Dimension(mm)	Capacity(L)	Pan(PCS)	Compressor	Refrigerant
NW-G530A	-18°C ~ -22°C	1070*550*810	141	5	Embraco/Danfoss	R404a
NW-G540A	-18°C ~ -22°C	1250*550*810	165	6	Embraco/Danfoss	R404a
NW-G550A	-18°C ~ -22°C	1430*550*810	190	7	Embraco/Danfoss	R404a

TABLE TOP GELATO SHOWCASE

 High-Performance Refrigeration

 Triple-glasses with Heater

 GN 1/3 Pans(PP)

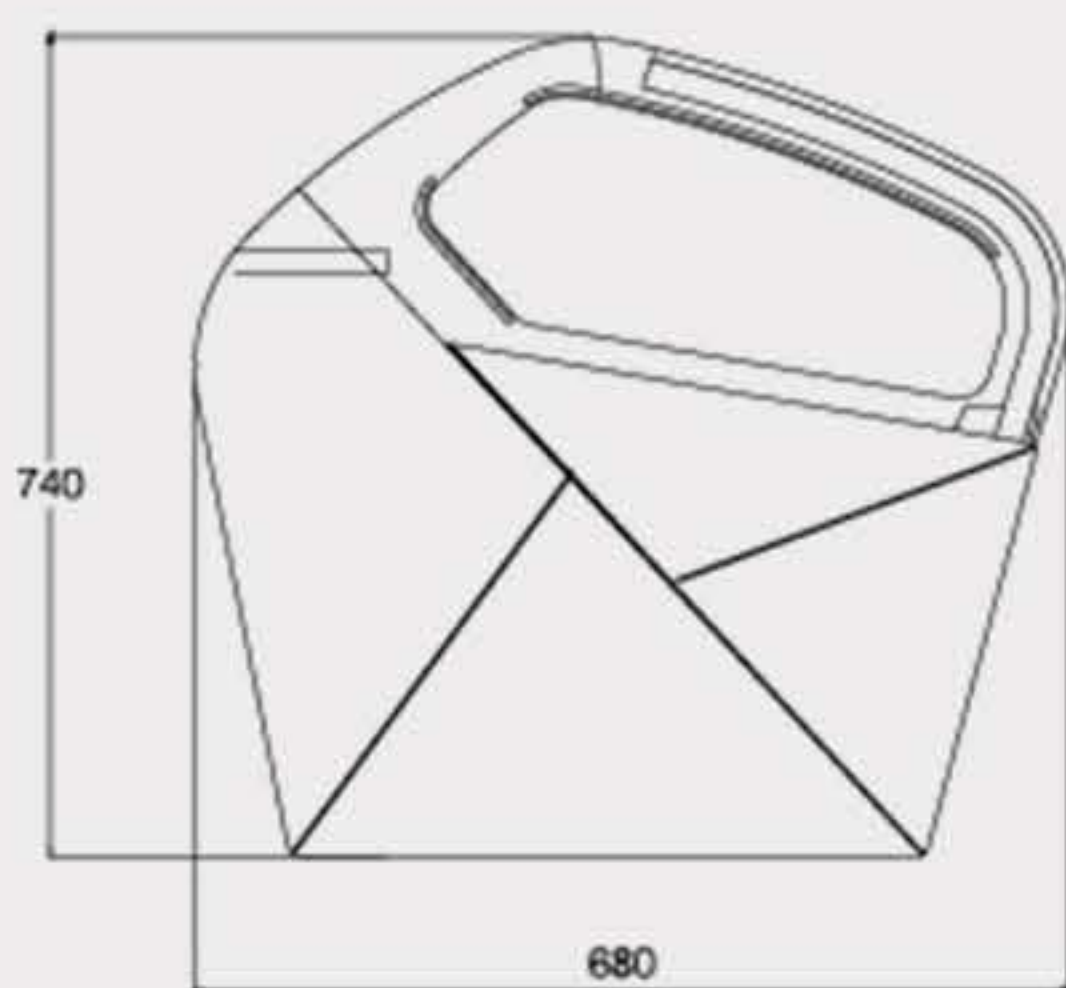
 Crystal Clear Visibility

 LED Illumination

 Digital Control System



NW-QV660A



Model No	Temp. Range	Dimension(mm)	Capacity(L)	Pan(PCS)	Compressor	Refrigerant
NW-QV660A	-18°C ~ -22°C	1220*680*740	160	6	Embraco/Danfoss	R404a
NW-QV670A	-18°C ~ -22°C	1400*680*740	185	7	Embraco/Danfoss	R404a
NW-QV680A	-18°C ~ -22°C	1580*680*740	210	8	Embraco/Danfoss	R404a
NW-QV690A	-18°C ~ -22°C	1760*680*740	235	9	Embraco/Danfoss	R404a

STANDING TYPE ICE CREAM DISPLAY CABINET

>>>

Features and Benefits:

- Freestanding type
- Curved tempered front triple layer glass
- Rear sliding glass doors
- Ventilated cooling system
- Brilliant LED lighting
- Changeable stainless steel pans
- 5L S/S ice cream pan: 360*165*120
- Acrylic door frame and handles
- Copper evaporators & condensers
- Electronic control system
- Digital display screen
- High-performance and energy efficiency
- Numerous colors are available for options
- Castors for easy placements



STANDING TYPE ICE CREAM DISPLAY CABINET

High-Performance Refrigeration

Triple-glasses with Heater

Stainless Steel Pans

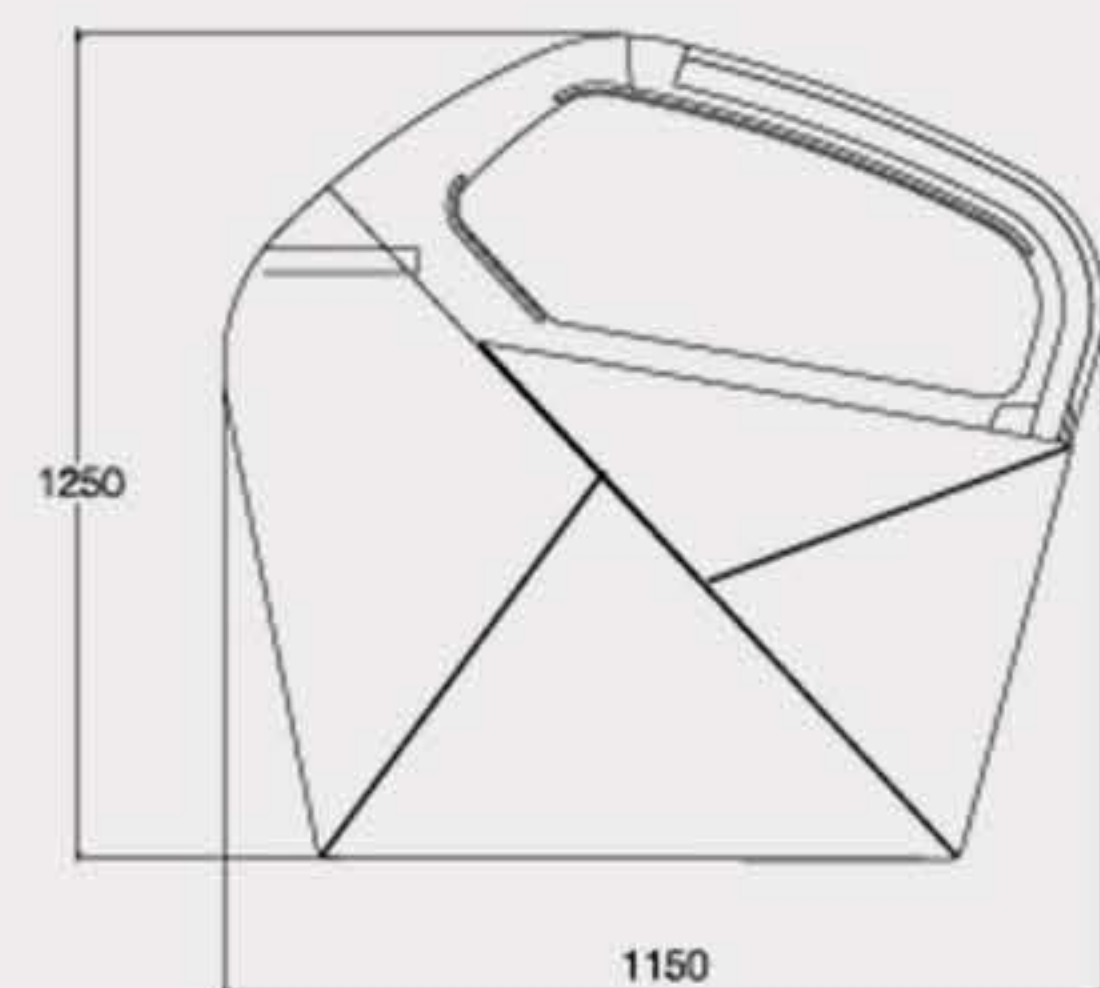
Crystal Clear Visibility

LED Illumination

Digital Control System


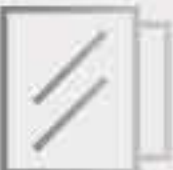






NW-QV20



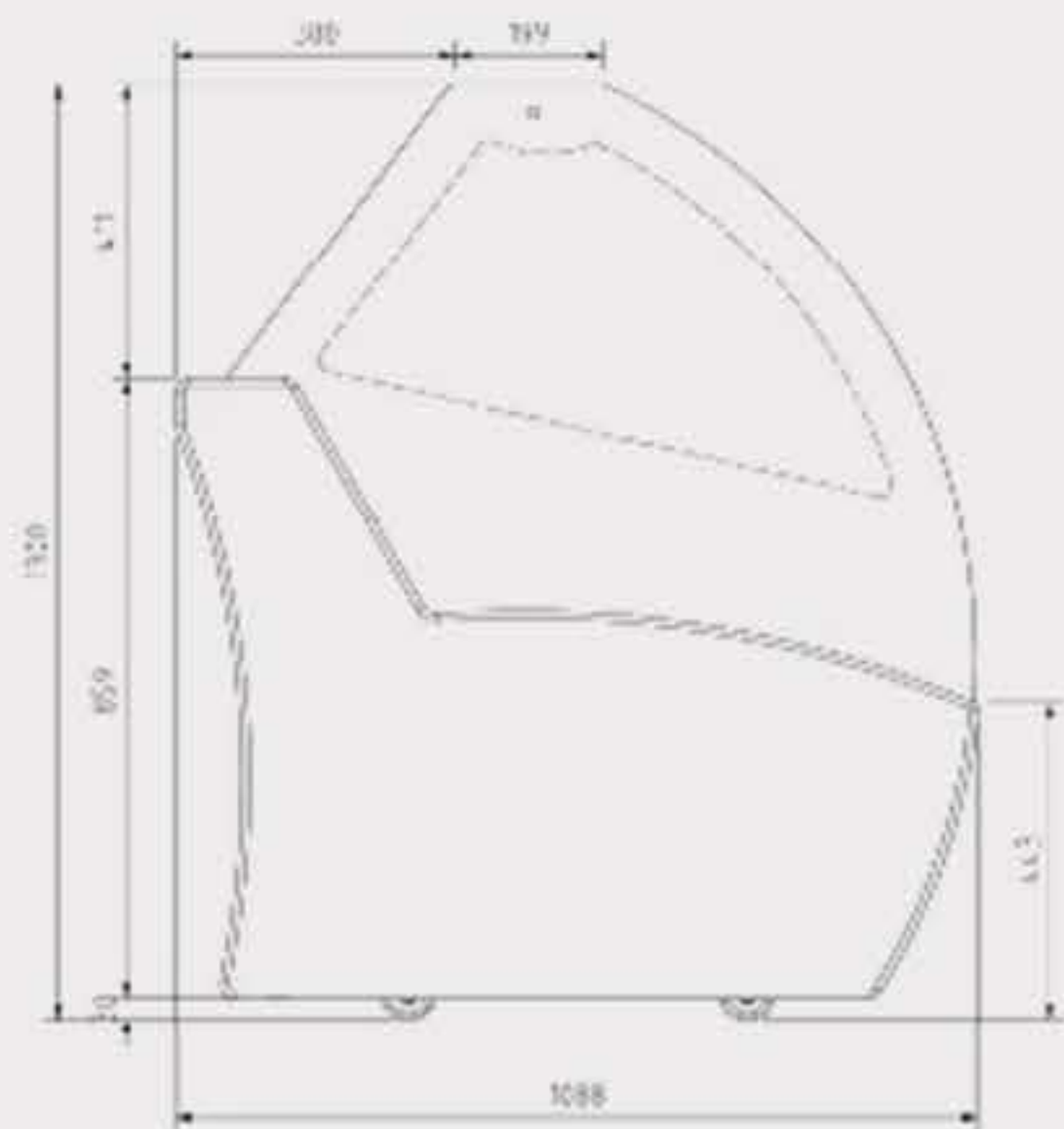
Model No	Temp. Range	Dimension(mm)	Capacity(L)	Pan(PCS)	Compressor	Refrigerant
NW-QV8	-18°C ~ -22°C	880*1150*1300	247	8	Embraco/Danfoss	R404a
NW-QV10	-18°C ~ -22°C	1050*1140*1300	307	10	Embraco/Danfoss	R404a
NW-QV12	-18°C ~ -22°C	1220*1140*1300	345	12	Embraco/Danfoss	R404a
NW-QV14	-18°C ~ -22°C	1390*1140*1300	405	14	Embraco/Danfoss	R404a
NW-QV16	-18°C ~ -22°C	1560*1140*1300	465	16	Embraco/Danfoss	R404a
NW-QV18	-18°C ~ -22°C	1730*1140*1300	525	18	Embraco/Danfoss	R404a
NW-QV20	-18°C ~ -22°C	1900*1140*1300	585	20	Embraco/Danfoss	R404a
NW-QV22	-18°C ~ -22°C	2070*1140*1300	645	22	Embraco/Danfoss	R404a
NW-QV24	-18°C ~ -22°C	2240*1140*1300	705	24	Embraco/Danfoss	R404a

STANDING TYPE ICE CREAM DISPLAY CABINET

-  High-Performance Refrigeration
-  Triple-glasses with Heater
-  Stainless Steel Pans
-  Crystal Clear Visibility
-  LED Illumination
-  Digital Control System









NW-QD12



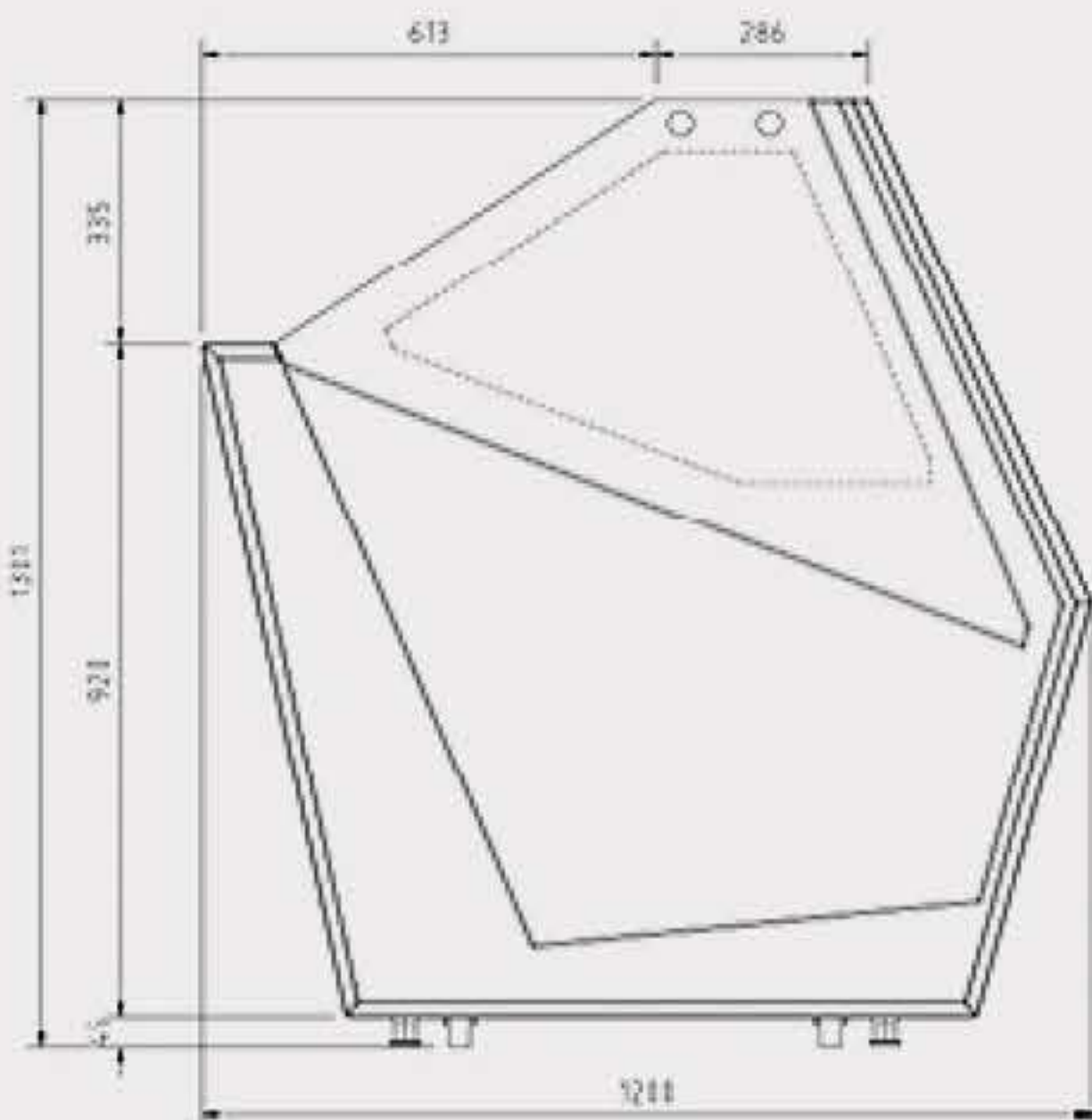
Model No	Temp. Range	Dimension(mm)	Capacity(L)	Pan(PCS)	Compressor	Refrigerant
NW-QD8	-18°C ~ -22°C	834*970*1220	255	8	Embraco/Danfoss	R404a
NW-QD10	-18°C ~ -22°C	1024*970*1220	285	10	Embraco/Danfoss	R404a
NW-QD12	-18°C ~ -22°C	1214*970*1220	345	12	Embraco/Danfoss	R404a
NW-QD14	-18°C ~ -22°C	1404*970*1220	405	14	Embraco/Danfoss	R404a
NW-QD16	-18°C ~ -22°C	1594*970*1220	465	16	Embraco/Danfoss	R404a
NW-QD18	-18°C ~ -22°C	1784*970*1220	525	18	Embraco/Danfoss	R404a
NW-QD20	-18°C ~ -22°C	1974*970*1220	585	20	Embraco/Danfoss	R404a
NW-QD22	-18°C ~ -22°C	2164*970*1220	645	22	Embraco/Danfoss	R404a
NW-QD24	-18°C ~ -22°C	2354*970*1220	705	24	Embraco/Danfoss	R404a

STANDING TYPE ICE CREAM DISPLAY CABINET

-  High-Performance Refrigeration
-  Triple-glasses with Heater
-  Stainless Steel Pans
-  Crystal Clear Visibility
-  LED Illumination
-  Digital Control System








NW-QP16



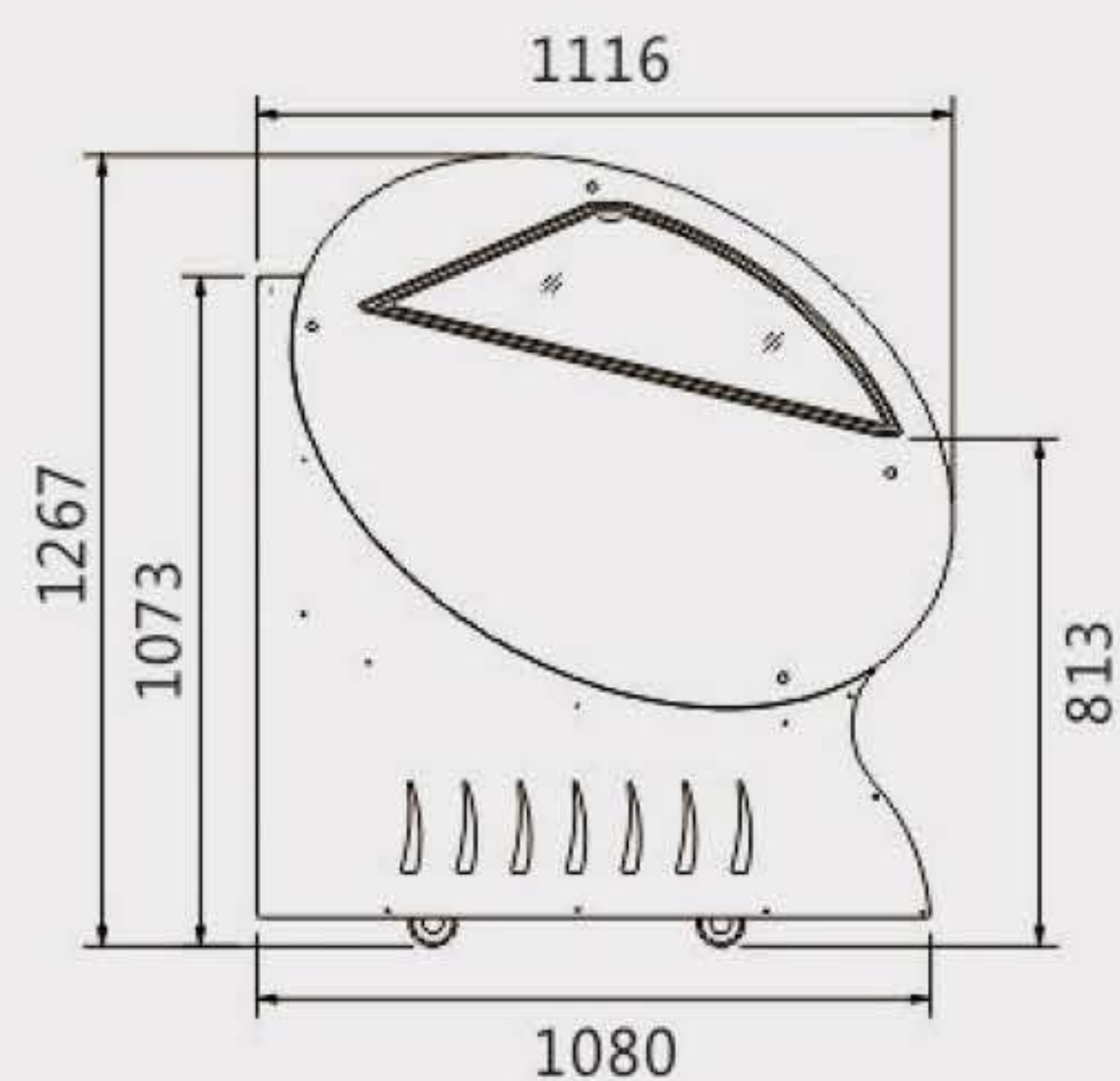
Model No	Temp. Range	Dimension(mm)	Capacity(L)	Pan(PCS)	Compressor	Refrigerant
NW-QP8	-18°C ~ -22°C	840*1200*1300	255	8	Embraco/Danfoss	R404a
NW-QP10	-18°C ~ -22°C	1030*1200*1300	315	10	Embraco/Danfoss	R404a
NW-QP12	-18°C ~ -22°C	1220*1200*1300	375	12	Embraco/Danfoss	R404a
NW-QP14	-18°C ~ -22°C	1410*1200*1300	435	14	Embraco/Danfoss	R404a
NW-QP16	-18°C ~ -22°C	1600*1200*1300	495	16	Embraco/Danfoss	R404a
NW-QP18	-18°C ~ -22°C	1790*1200*1300	555	18	Embraco/Danfoss	R404a
NW-QP20	-18°C ~ -22°C	1980*1200*1300	615	20	Embraco/Danfoss	R404a
NW-QP22	-18°C ~ -22°C	2170*1200*1300	675	22	Embraco/Danfoss	R404a
NW-QP24	-18°C ~ -22°C	2360*1200*1300	735	24	Embraco/Danfoss	R404a

STANDING TYPE ICE CREAM DISPLAY CABINET

-  High-Performance Refrigeration
-  Triple-glasses with Heater
-  Stainless Steel Pans
-  Crystal Clear Visibility
-  LED Illumination
-  Digital Control System



NW-QW8



Model No	Temp. Range	Dimension(mm)	Capacity(L)	Pan(PCS)	Compressor	Refrigerant
NW-QW8	-18°C ~ -22°C	842*1126*1267	255	8	Embraco/Danfoss	R404a
NW-QW10	-18°C ~ -22°C	1012*1126*1267	315	10	Embraco/Danfoss	R404a
NW-QW12	-18°C ~ -22°C	1182*1126*1267	375	12	Embraco/Danfoss	R404a
NW-QW14	-18°C ~ -22°C	1352*1126*1267	435	14	Embraco/Danfoss	R404a
NW-QW16	-18°C ~ -22°C	1522*1126*1267	495	16	Embraco/Danfoss	R404a
NW-QW18	-18°C ~ -22°C	1692*1126*1267	555	18	Embraco/Danfoss	R404a
NW-QW20	-18°C ~ -22°C	1862*1126*1267	615	20	Embraco/Danfoss	R404a
NW-QW22	-18°C ~ -22°C	2032*1126*1267	675	22	Embraco/Danfoss	R404a
NW-QW24	-18°C ~ -22°C	2202*1126*1267	735	24	Embraco/Danfoss	R404a

STANDING TYPE ICE CREAM DISPLAY CABINET

High-Performance Refrigeration

Triple-glasses with Heater

Stainless Steel Pans

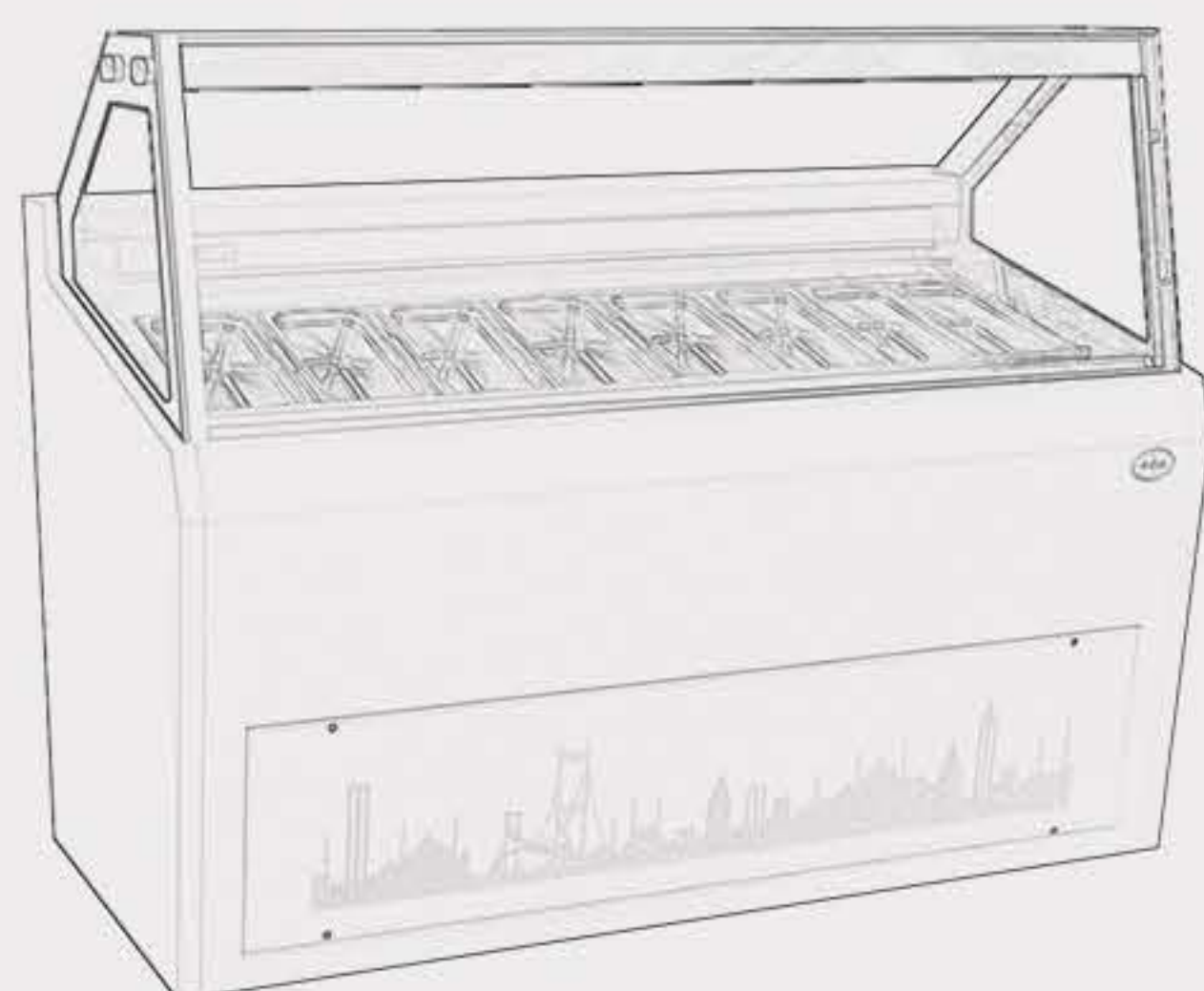
Crystal Clear Visibility

LED Illumination

Digital Control System



NW-QN10



Model No	Temp. Range	Dimension(mm)	Capacity(L)	Pan(PCS)	Compressor	Refrigerant
NW-QN6	-18°C ~ -22°C	1232*775*1290	177	6	Embraco/Danfoss	R404a
NW-QN7	-18°C ~ -22°C	1403*775*1290	204	7	Embraco/Danfoss	R404a
NW-QN8	-18°C ~ -22°C	1573*775*1290	231	8	Embraco/Danfoss	R404a
NW-QN9	-18°C ~ -22°C	1742*775*1290	258	9	Embraco/Danfoss	R404a
NW-QN10	-18°C ~ -22°C	1912*775*1290	285	10	Embraco/Danfoss	R404a
NW-QN11	-18°C ~ -22°C	2082*775*1290	313	11	Embraco/Danfoss	R404a
NW-QN12	-18°C ~ -22°C	2252*775*1290	340	12	Embraco/Danfoss	R404a

STANDING TYPE ICE CREAM DISPLAY CABINET

 High-Performance Refrigeration

 Triple-glasses with Heater

 Stainless Steel Pans

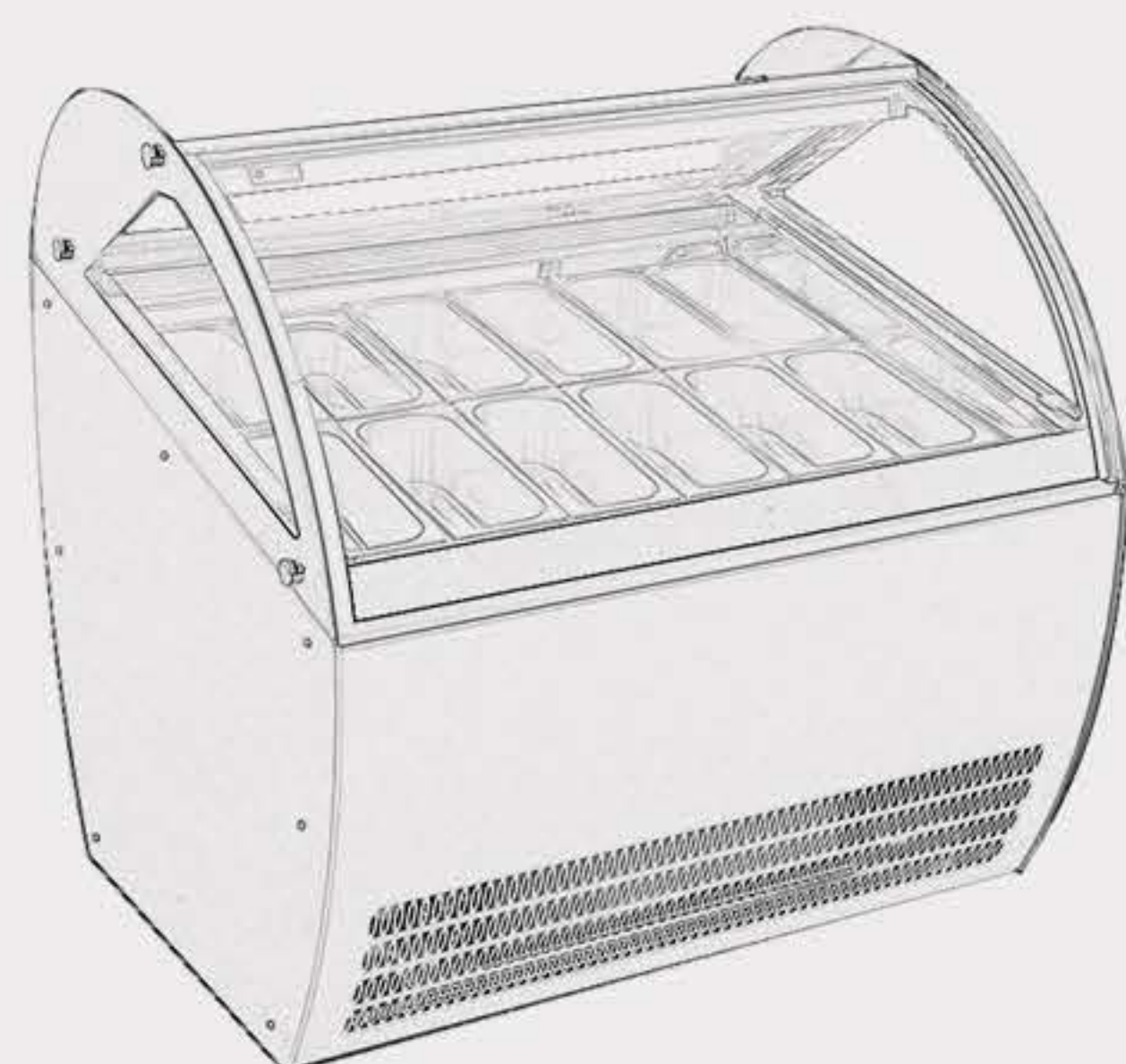
 Crystal Clear Visibility

 LED Illumination

 Digital Control System



NW-IW10



Model No	Temp. Range	Dimension(mm)	Capacity(L)	Pan(PCS)	Compressor	Refrigerant
NW-IW10	-18°C ~ -22°C	1000*1100*1280	340	10	Embraco/Danfoss	R404a
NW-IW12	-18°C ~ -22°C	1170*1100*1280	400	12	Embraco/Danfoss	R404a
NW-IW14	-18°C ~ -22°C	1340*1100*1280	460	14	Embraco/Danfoss	R404a
NW-IW16	-18°C ~ -22°C	1510*1100*1280	520	16	Embraco/Danfoss	R404a
NW-IW18	-18°C ~ -22°C	1680*1100*1280	580	18	Embraco/Danfoss	R404a
NW-IW20	-18°C ~ -22°C	1840*1100*1280	640	20	Embraco/Danfoss	R404a
NW-IW22	-18°C ~ -22°C	2010*1100*1280	700	22	Embraco/Danfoss	R404a
NW-IW24	-18°C ~ -22°C	2180*1100*1280	760	24	Embraco/Danfoss	R404a

STANDING TYPE ICE CREAM DISPLAY CABINET

High-Performance Refrigeration

Triple-glasses with Heater

Stainless Steel Pans

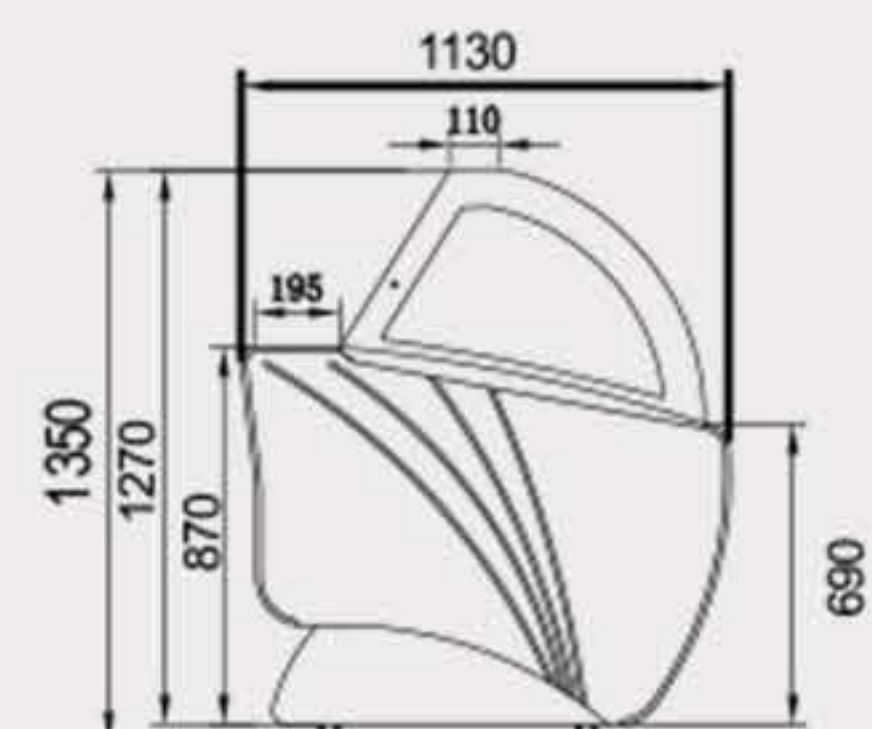
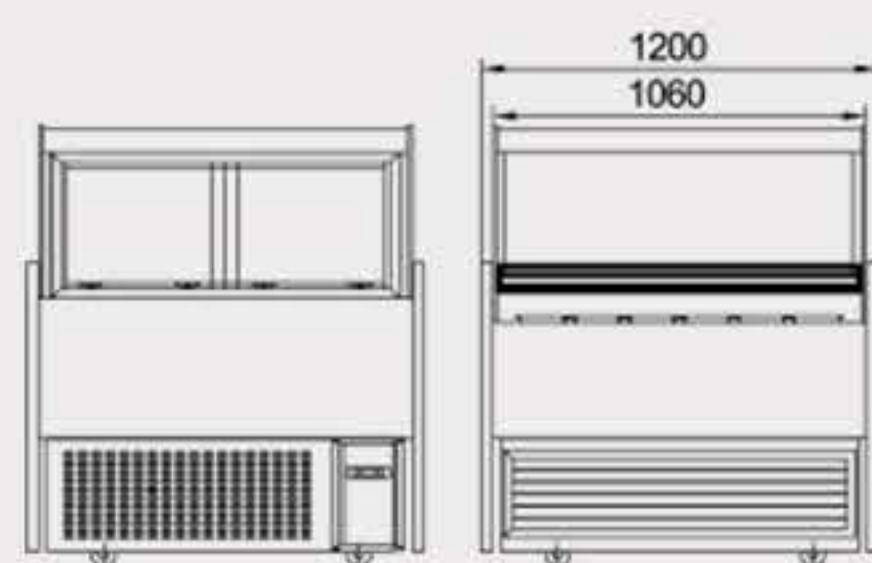
Crystal Clear Visibility

LED Illumination

Digital Control System



NW-QS12



Model No	Temp. Range	Dimension(mm)	Capacity(L)	Pan(PCS)	Compressor
NW-QS8	-18°C ~ -22°C	910*1130*1350	247	8	Embraco/Danfoss
NW-QS10	-18°C ~ -22°C	1080*1130*1350	300	10	Embraco/Danfoss
NW-QS12	-18°C ~ -22°C	1250*1130*1350	360	12	Embraco/Danfoss
NW-QS14	-18°C ~ -22°C	1420*1130*1350	420	14	Embraco/Danfoss
NW-QS16	-18°C ~ -22°C	1590*1130*1350	480	16	Embraco/Danfoss
NW-QS18	-18°C ~ -22°C	1760*1130*1350	540	18	Embraco/Danfoss
NW-QS20	-18°C ~ -22°C	1930*1130*1350	600	20	Embraco/Danfoss
NW-QS22	-18°C ~ -22°C	2100*1130*1350	660	22	Embraco/Danfoss
NW-QS24	-18°C ~ -22°C	2270*1130*1350	720	24	Embraco/Danfoss

STANDING TYPE ICE CREAM DISPLAY CABINET

High-Performance Refrigeration

Triple-glasses with Heater

Stainless Steel Pans

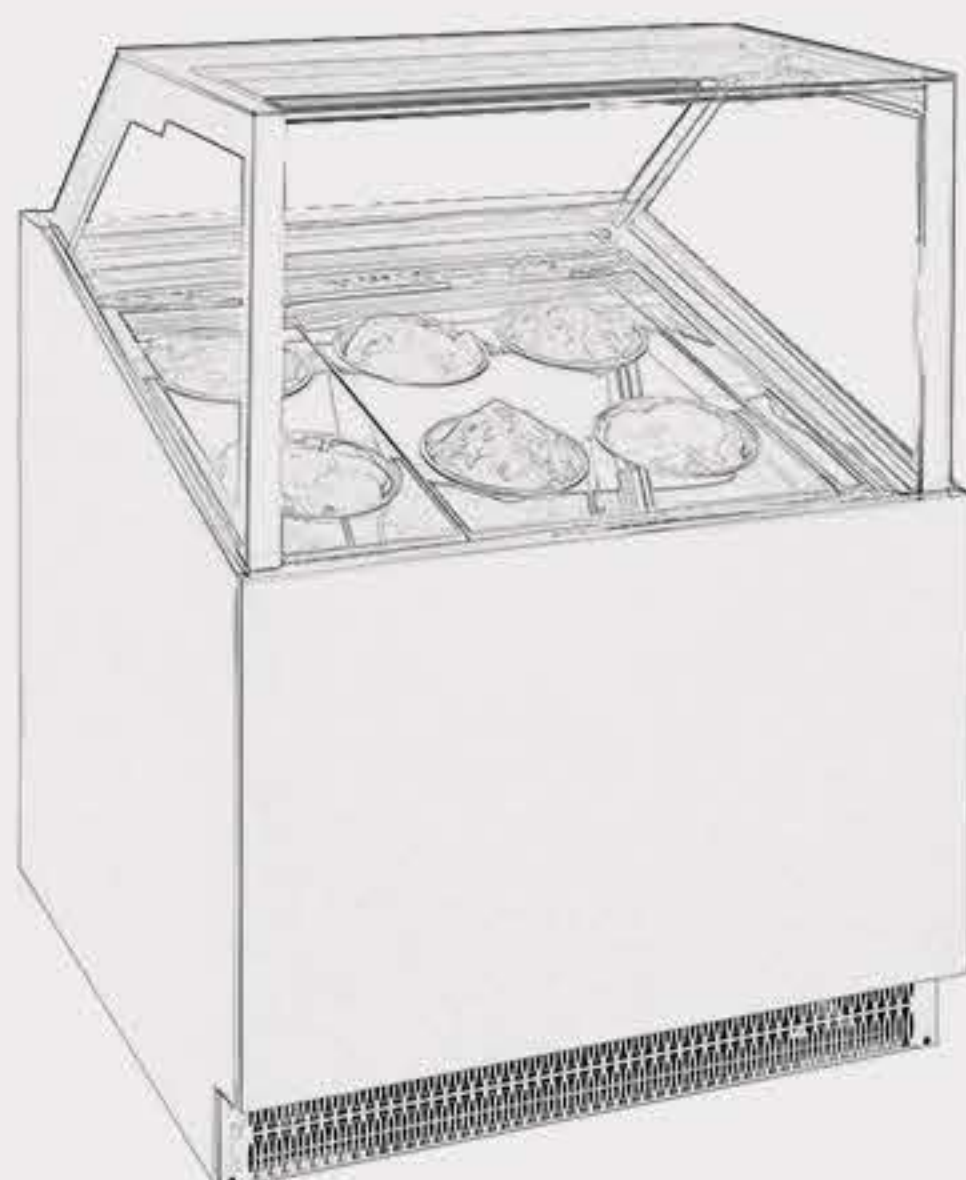
Crystal Clear Visibility

LED Illumination

Digital Control System



NW-IF10



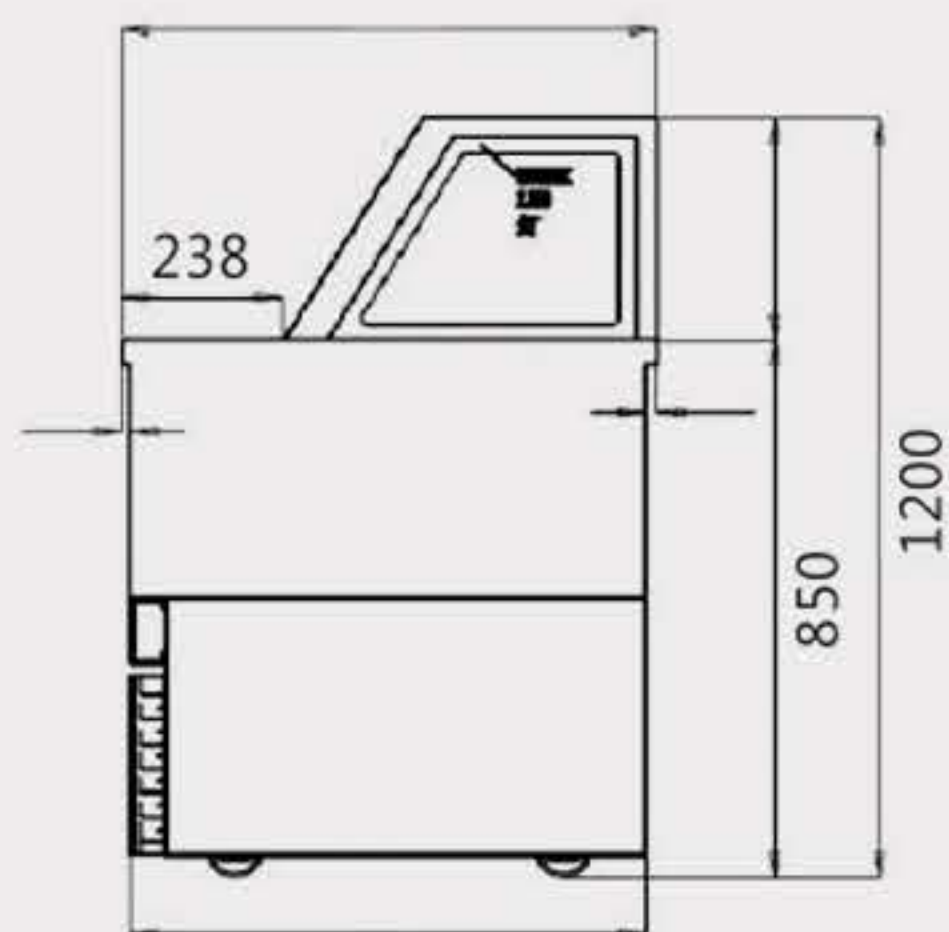
Model No	Temp. Range	Dimension(mm)	Capacity(L)	Pan(PCS)	Compressor
NW-IF10	-18°C ~ -22°C	1050*1060*1350	315	10	Embraco/Danfoss
NW-IF12	-18°C ~ -22°C	1220*1060*1350	375	12	Embraco/Danfoss
NW-IF14	-18°C ~ -22°C	1390*1060*1350	435	14	Embraco/Danfoss
NW-IF16	-18°C ~ -22°C	1560*1060*1350	495	16	Embraco/Danfoss
NW-IF18	-18°C ~ -22°C	1730*1060*1350	555	18	Embraco/Danfoss
NW-IF20	-18°C ~ -22°C	1900*1060*1350	615	20	Embraco/Danfoss
NW-IF22	-18°C ~ -22°C	2070*1060*1350	675	22	Embraco/Danfoss
NW-IF24	-18°C ~ -22°C	2240*1060*1350	735	24	Embraco/Danfoss

TABLE TOP GELATO SHOWCASE

-  High-Performance Refrigeration
-  Triple-glasses with Heater
-  GN 1/3 Pans(PP)
-  Crystal Clear Visibility
-  LED Illumination
-  Digital Control System



NW-IZ



Model No	Temp. Range	Dimension(mm)	Capacity(L)	Pan(PCS)	Refrigerant
NW-IZ	-18°C ~ -22°C	1000*650*1200	84	5 (1/6GN)	R404a



Total Solution of Commercial Refrigerators



Nenwell Refrigeration Technology Co., Ltd.
Foshan Nenwell Import & Export Trading Co., Ltd.

Total Solution of Commercial Refrigerators Tel: 0086-757-85856069 Web: <http://www.nenwell.com/>

Address: Rm 601, Bld# 5A Tianan Mansion, Jianping Rd, Guicheng, Nanhai, Foshan, Guangdong, China